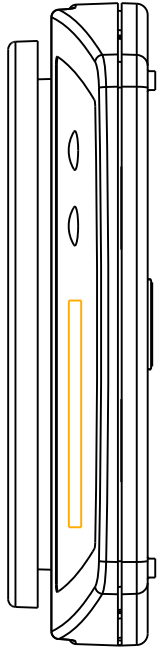
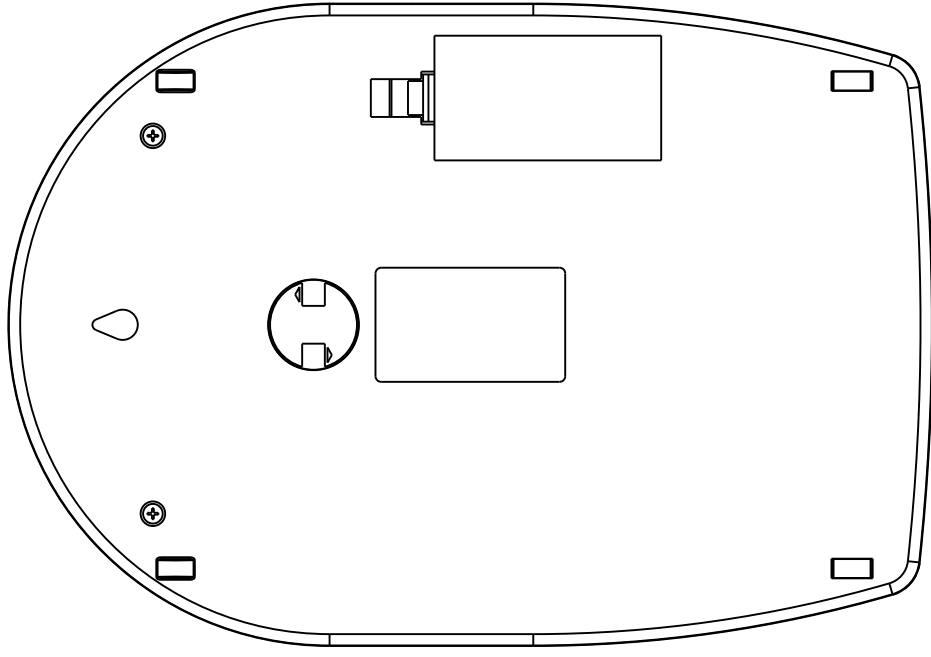
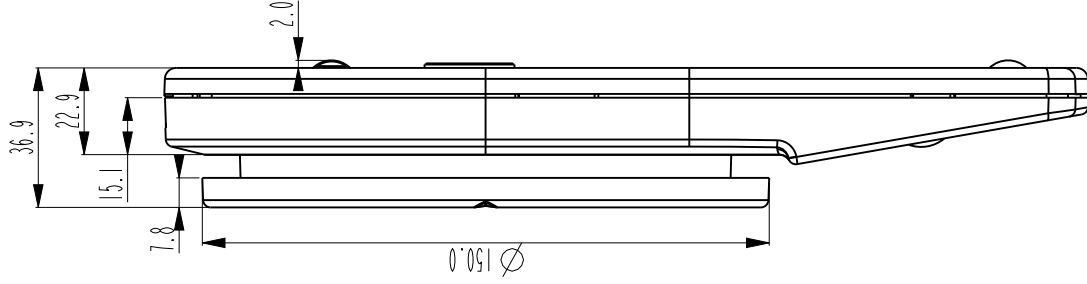
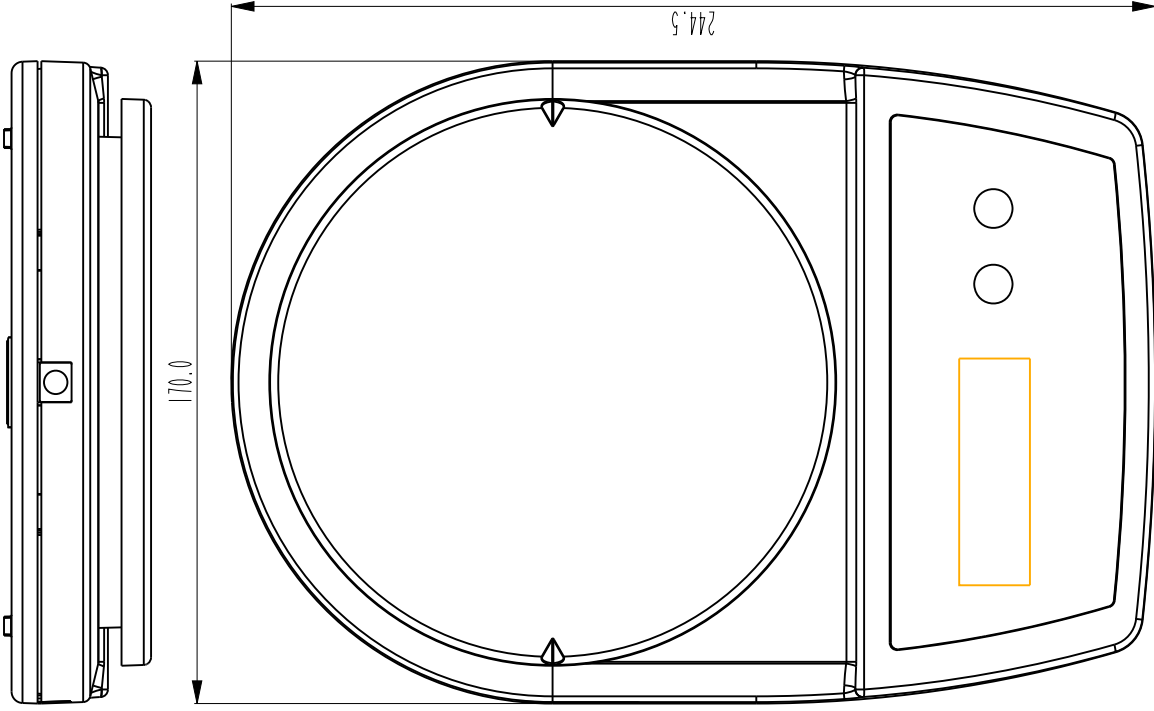


REVISIONS

ZONE	REV.	DESCRIPTION	DATE	APPROVED
	00	N/A	No:22.21	



UNLESS OTHERWISE SPECIFIED ANGLES ARE TO BE SHOWN AS SHOWN FOR 0.5 TO 0.05 FOR 0. XX

3RD ANGLE PROJECTION
 DRAWN: No:22.21
 CHECKED: ZhozeBing

TITLE: 914-010211121311130 Dimensions Drawing
 MODEL NO.: 1.4.0914010201107 PART NO.: NONE
 MATERIAL: NONE FINISH: NONE

APPROVED: NONE
 UNIT: mm
 SCALE: 1:1 DO NOT SCALE DRAWING
 SHEET 1 OF 1

KERN® KERN & Sohn GmbH